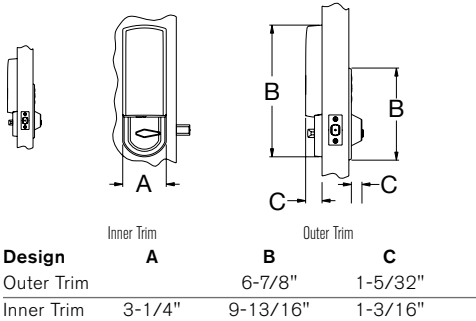


POWERBOLT



Door Prep 1460X Crossbore 2-1/8"
Edge Bore 1"
Latch Face 1" x 2-1/4"

Backset Adjustable to 2-3/8" or
2-3/4"

Door Thickness 1-3/8" - 2"

Cylinder SmartKey or KW 5 pin.

Faceplate 1" x 2-1/4"
Specify round corner,
square corner or drive-in.

Strikes Specify round corner or square corner.
Other options available.

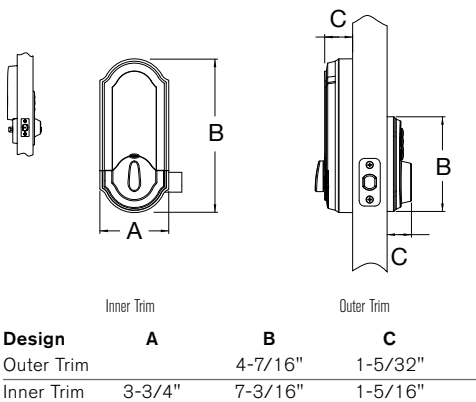
Bolt 1" throw Steel.

Door Handing Reversible for right or left-hand doors.

ADA Interior turn piece meets 4.13.9 ADA requirements.

UL Meets 20 minute fire rating

SMARTCODE



Door Prep 1490 Crossbore 2-1/8" or 1-1/2"
Edge Bore 1"
Latch Face 1" x 2-1/4"

Backset Adjustable to 2-3/8" or 2-3/4"

Door Thickness 1-3/8" - 2"

Cylinder SmartKey

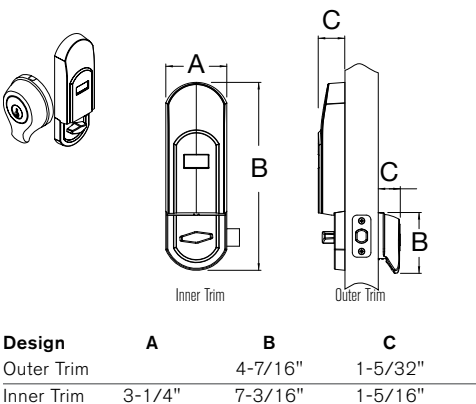
Faceplate 1" x 2-1/4".
Specify round corner, square corner or drive-in.

Strikes Standard: 1-7/8" x 2-3/4"
Specify round corner or square corner.
Other options available.

Bolt 1" throw Steel.

Door Handing Reversible for right or left-hand doors

SMARTSCAN



Door Prep 1480 Crossbore 2-1/8" or 1-1/2"
Edge Bore 1"
Latch Face 1" x 2-1/4"

Backset Adjustable to 2-3/8" or 2-3/4"

Door Thickness 1-3/8" - 1-3/4"

Cylinder SmartKey

Faceplate 1" x 2-1/4".
Specify round corner, square corner or drive-in.

Strikes Standard: 1-7/8" x 2-3/4"
Specify round corner or square corner.
Other options available.

Bolt 1" throw Steel.

Door Handing Reversible for right or left-hand doors.