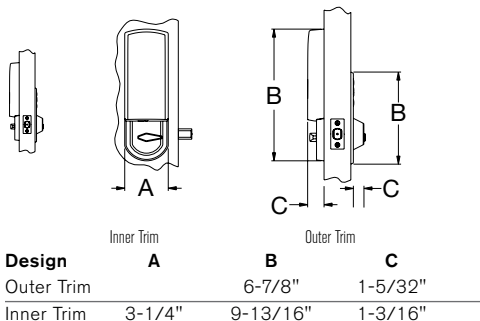


POWERBOLT



Door Prep 1460X Crossbore 2-1/8"
Edge Bore 1"
Latch Face 1" x 2-1/4"

Backset Adjustable to 2-3/8" or
2-3/4"

Door Thickness 1-3/8" - 2"

Cylinder SmartKey or KW 5 pin.

Faceplate 1" x 2-1/4"
Specify round corner,
square corner or drive-in.

Strikes Specify round corner or square corner.
Other options available.

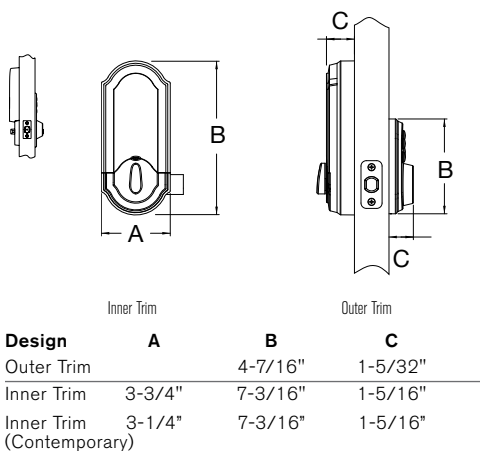
Bolt 1" throw Steel.

Door Handing Reversible for right or left-hand doors.

ADA Interior turn piece meets 4.13.9 ADA requirements.

UL Meets 20 minute fire rating

SMARTCODE & SMARTCODE CONTEMPORARY



Door Prep 1490 Crossbore 2-1/8" or 1-1/2"
Edge Bore 1"
Latch Face 1" x 2-1/4"

Backset Adjustable to 2-3/8" or 2-3/4"

Door Thickness 1-3/8" - 2"

Cylinder SmartKey

Faceplate 1" x 2-1/4".
Specify round corner, square corner or drive-in.

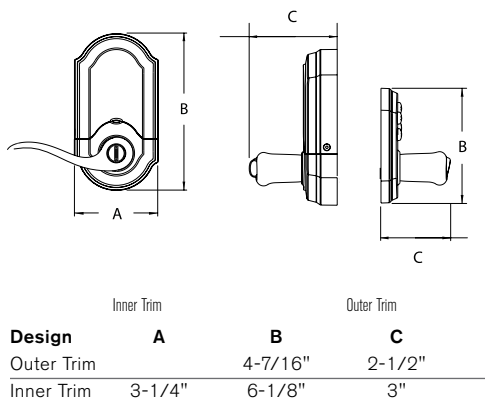
Strikes Standard: 1-7/8" x 2-3/4"
Specify round corner or square corner.
Other options available.

Bolt 1" throw Steel.

Door Handing Reversible for right or left-hand doors

UL Meets 20 minute fire rating

SMARTCODE LEVER



Door Prep 2-1/8" diameter face hole & 1" diameter latch hole

Backset Adjustable to 2-3/8" or 2-3/4"

Door Thickness 1-3/8" - 1-3/4"
automatic adjustment

Cylinder SmartKey

Faceplate 1" x 2-1/4" square corner and drive in.

Strikes Square corner strike 2 3/4" x 2 1/8"

Bolt 1/2" throw.

Door Handing Reversible for right or left-hand doors

UL Meets 20 minute fire rating