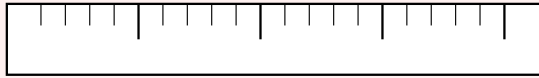
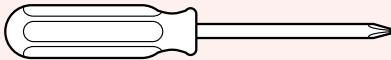


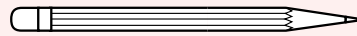
## Tools Needed



Ruler

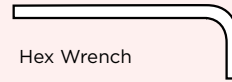


Phillips Head Screwdriver

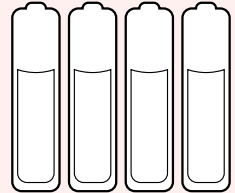


Pencil

In Box



Hex Wrench

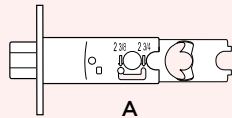


4 AA Batteries

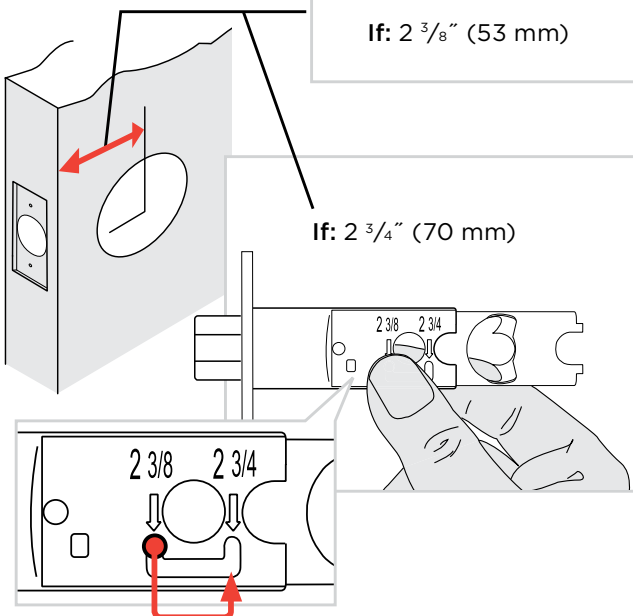
## 1. Check Dimensions



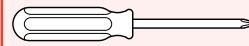
Ruler



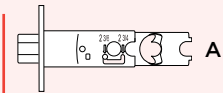
A



## 2. Install Latch & Strike



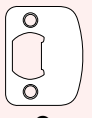
Phillips Head Screwdriver



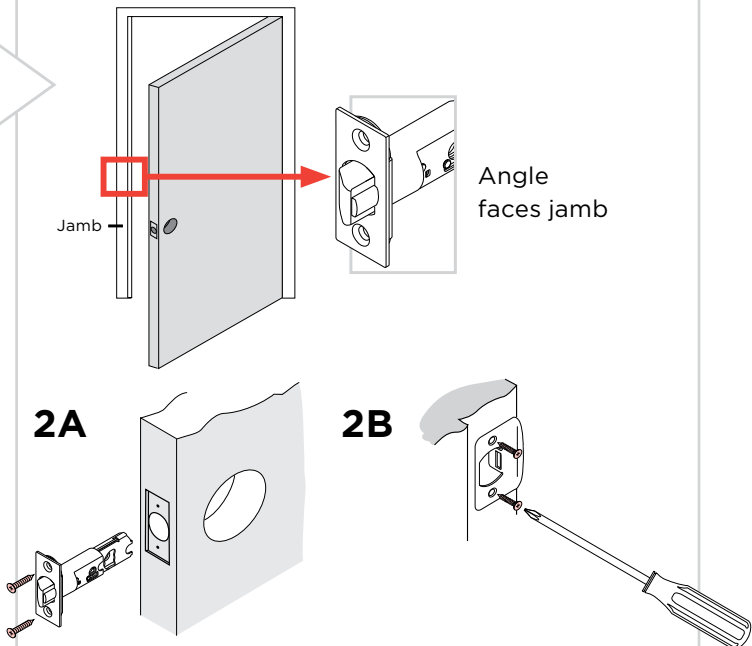
A



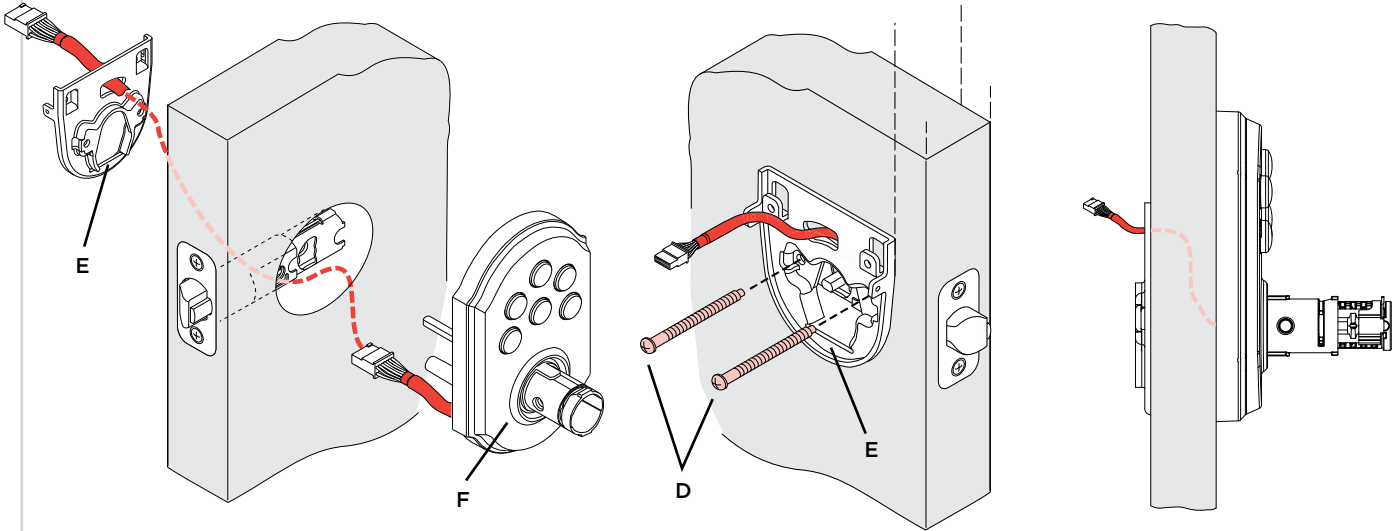
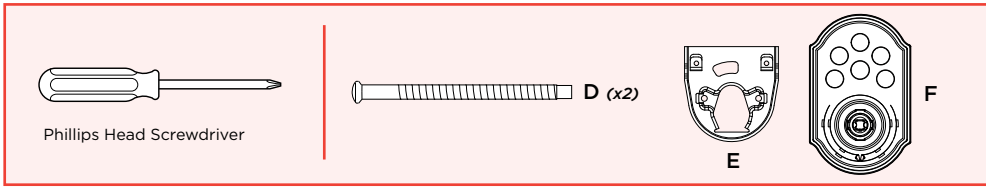
B (x4)



C

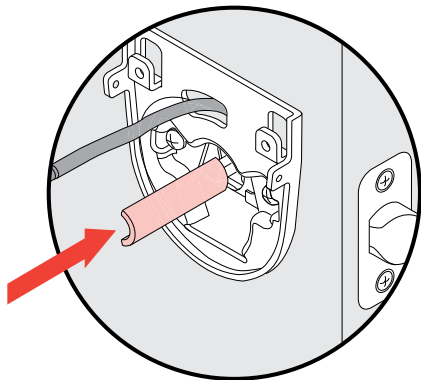
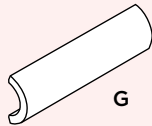


### 3. Install Exterior Keypad & Interior Mounting Plate



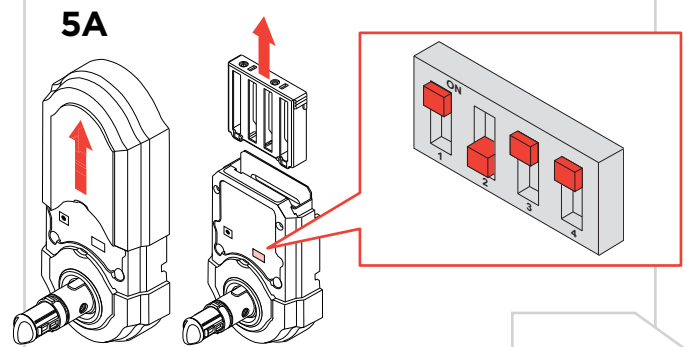
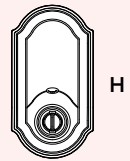
### 4. Install the Half Round Spindle

No Tools Needed



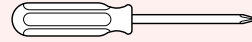
### 5. Install Interior Assembly

No Tools Needed

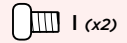


5B

## 5. Install Interior Assembly (cont.)

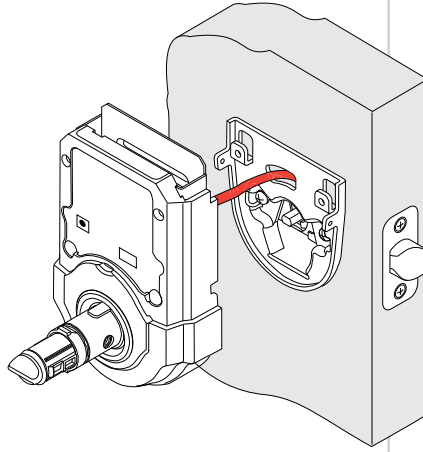
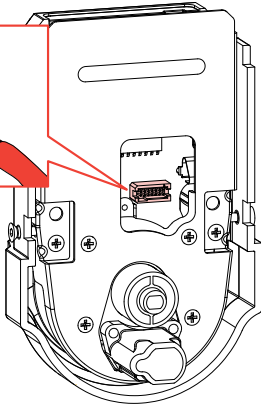
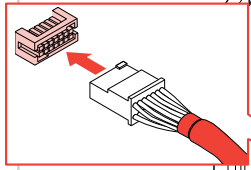


Phillips Head Screwdriver

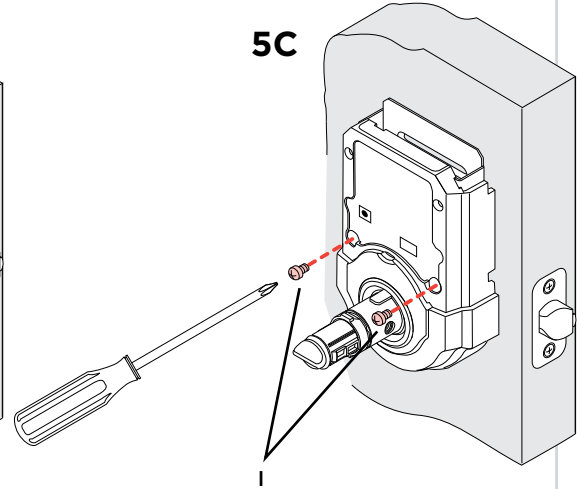


I (x2)

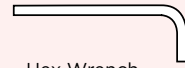
5B



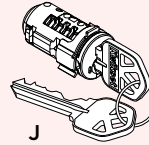
5C



## 6. Mount the Levers & Cylinder



Hex Wrench

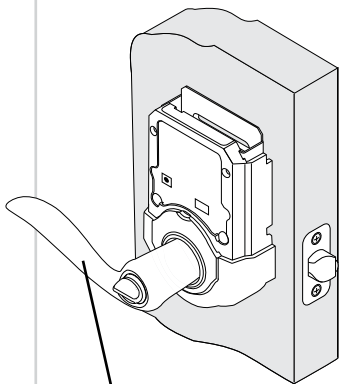


J

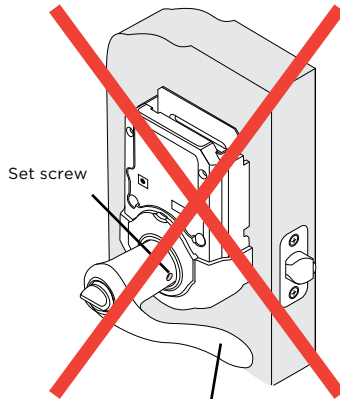


K

6A Check to see what side set screw will be on

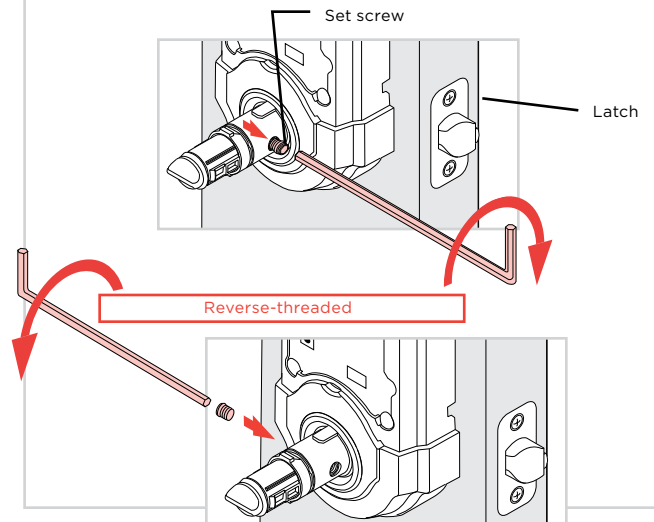


Away from door edge



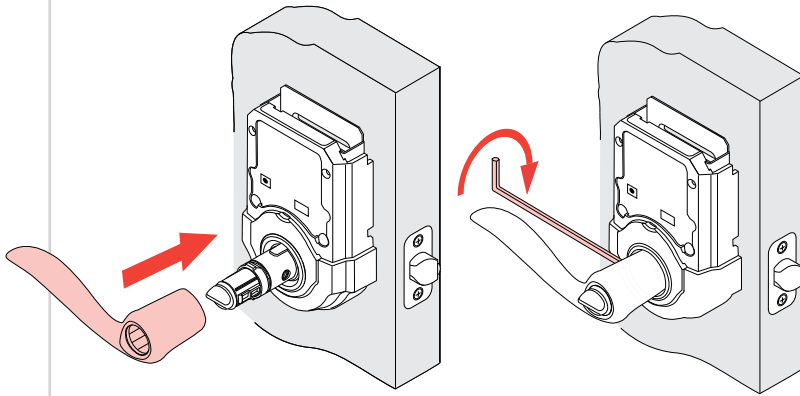
Toward door edge

6B How to change set screw

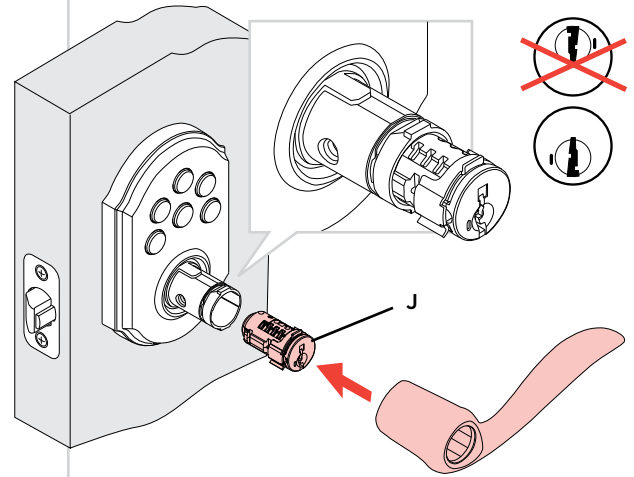


## 6. Mount the Levers & Cylinder (cont.)

### 6C Install Interior Lever



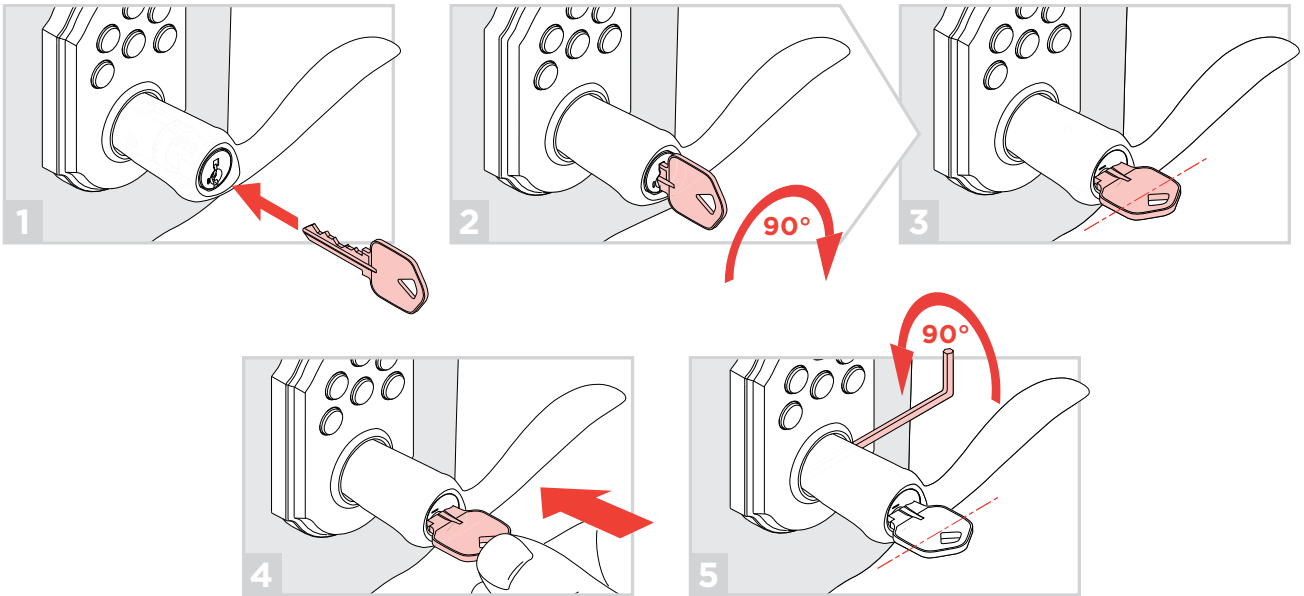
### 6D Install Exterior Lever



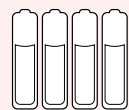
NOTE: Cylinder will not sit back fully until 6E



### 6E Secure Cylinder & Exterior Lever



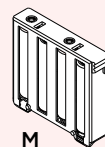
## 7. Install Batteries & Cover



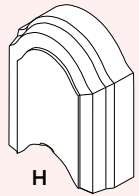
4 AA Batteries



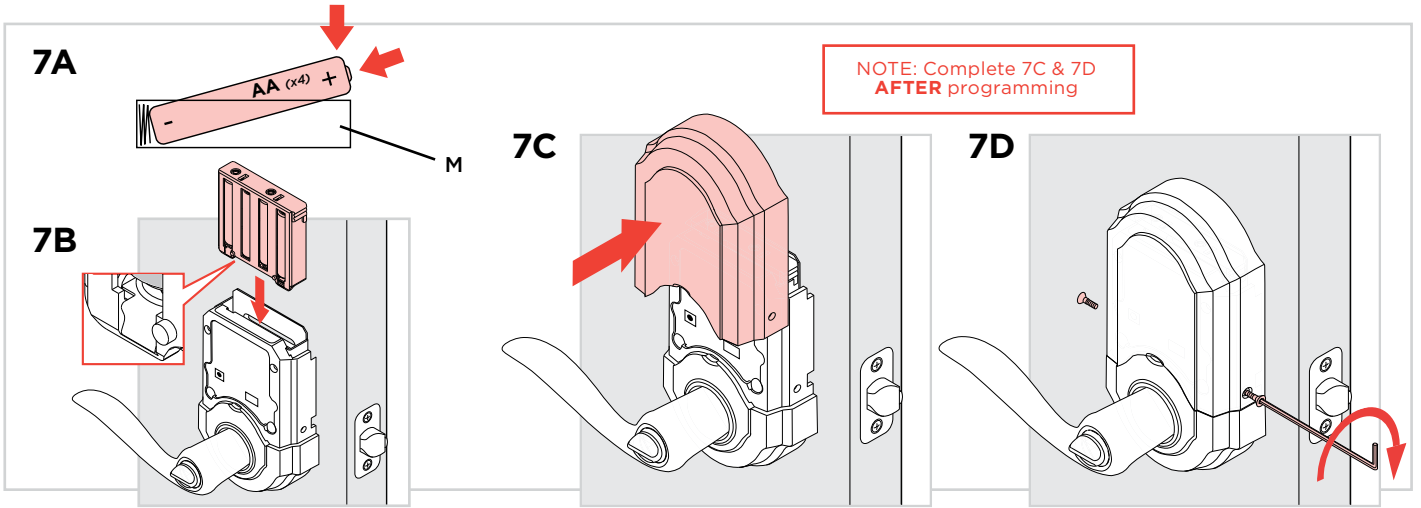
Hex Wrench



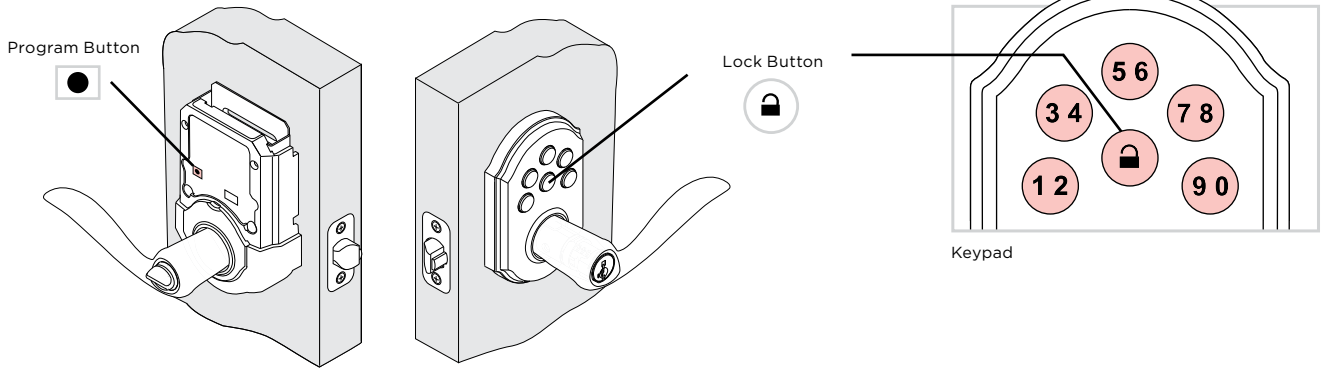
M



H

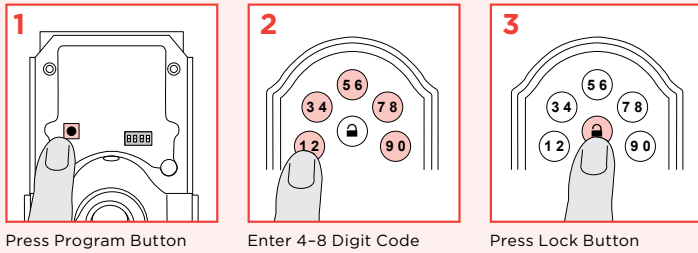


## Programming

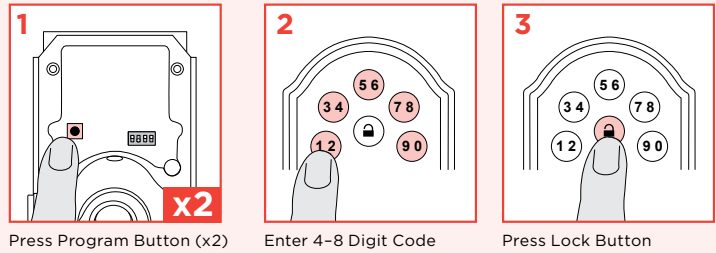


## User Codes

### User 1



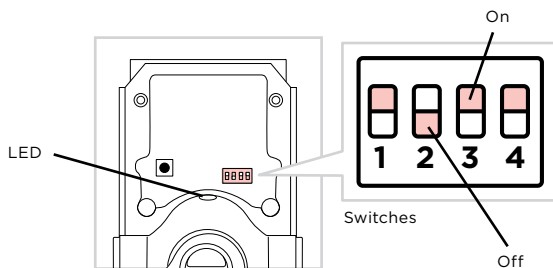
### User 2



User 3: **1** **x3** **2** **3**

User 4: **1** **x4** **2** **3**

## Customizable Features



**1** Status LED blinks every 5 seconds.

**2** Auto re-locks door 30s after unlocking.

**3** Beeper enabled. Buttons light when pressed.

**4** No function.